

DHI-VTO3222E-P

2-wire IP Villa Door Station



- Highly durable and elegant, it is made of aluminum panel, and has a mechanical keypad.
- 2MP HD camera.
- Supports 5,000 users and 10,000 cards.
- Supports multiple unlock methods including password, IC card, and unlocks remotely.
- Connects card readers and controllers through Wiegand.
- Provides 12 VDC, 600 mA power.
- IP65 rated (silicone sealant is required for the shell, see the quick start guide).
- IK08 rated.
- Standard PoE power supply (if the VTO device with 12 V power output needs to charge the load, it should be connected to a PSE switch that complies with the 802.3 at standard).



Technical Specification

System	
Main Processor	Embedded Processor
Operating System	Embedded Linux OS
Button Type	Mechanical
Number of Buttons	12
Basic	
Camera	1/2.9" 2 MP CMOS
Field of View	H:140°,V:80°, D:160°
WDR	120 dB
Noise Reduction	3D NR
Video Compression	H264, H265
Video Resolution	Main stream: 720p,WVGA, D1, CIF Sub stream: 1080p,WVGA, D1, QVGA, CIF
Video Frame Rate	25 fps
Light Compensation	Auto white light
Day/Night	Color/B/W
Audio Compression	G.711a, G.711u, PCM
Audio Input	1
Audio Output	Built-in Speaker
Audio Mode	Two-way audio
Audio Enhancement	Echo suppression/digital noise reduction
Audio Bit Rate	16 KHz, 16 bit
Function	
Communication Mode	2-wire
Unlock Mode	Card swiping;password;remote

Card Type	Mifare card
Auto Snapshot	Yes (SD card inserted in VTH or FTP server is configured for VTO)
Leave Videos	Yes (SD card is inserted in the indoor monitor or door station)
Storage	Supports Micro SD card (up to 256 GB)
Web Configuration	Yes

Performance

Card Reading Distance	0 cm–3 cm (0"–1.18")
Casing Material	Aluminum

Capacity

Card Capacity	10000
---------------	-------

Port

RS-485	1
Wiegand	1
Alarm Input	1
Alarm Output	1
Power Output	1 port, 12 V/600 mA
Door Bell	1
Exit Button	1
Lock Control	1
Network Port	1 × RJ-45 port, 10Mbps/100Mbps network port

DHI-VTO3222E-P

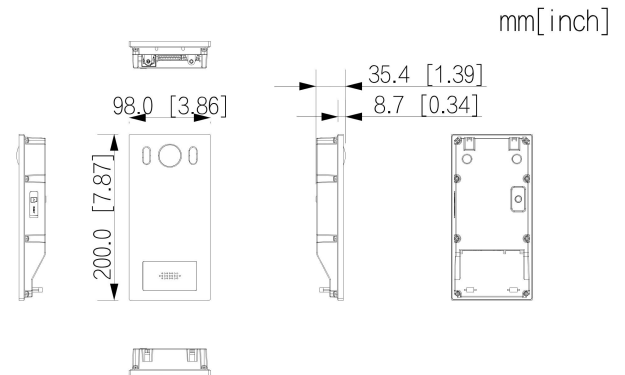
Alarm

Tamper Alarm	Yes
--------------	-----

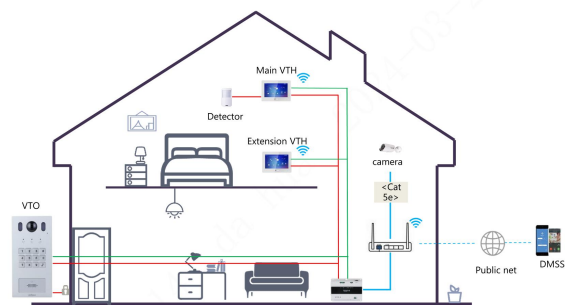
General

Appearance Color	Silver
Power Supply	48 VDC, 0.4 A, PoE (802.3af/at)
Power Adapter	Optional
Installation	Flush Mount;Surface Mount
Certifications	CE
Accessory	Flush mount box (optional); Surface mount box (optional)
Product Dimensions	200.0 mm × 98.0 mm × 35.4 mm (7.87" × 3.86" × 1.39")
Protection	IK08, IP65 (silicone sealant is needed, see the quick start guide)
Operating Temperature	-40 °C to +60 °C (-40 °F to +140 °F)
Operating Humidity	10%–90% (RH), non-condensing
Operating Environment	Outdoor
Operating Altitude	Beneath 3000 m (9842.52 ft)
Power Consumption	≤ 5 W (standby), ≤ 7 W (working)
Gross Weight	692 g (1.53 lb)
Storage Temperature	0 °C to +40 °C (+32 °F to +104 °F)
Storage Humidity	30%–75%(RH)

Dimensions (mm[inch])



Application



Ordering Information

Type	Model	Description
2-wire IP Villa Door Station	DHI-VTO3222E-P	2-wire IP Villa Door Station

Installation

