



TC-H342N Spec:I2W/WIFI/4mm/V4.1

PT Camera

Wi-Fi Series



KEY FEATURES

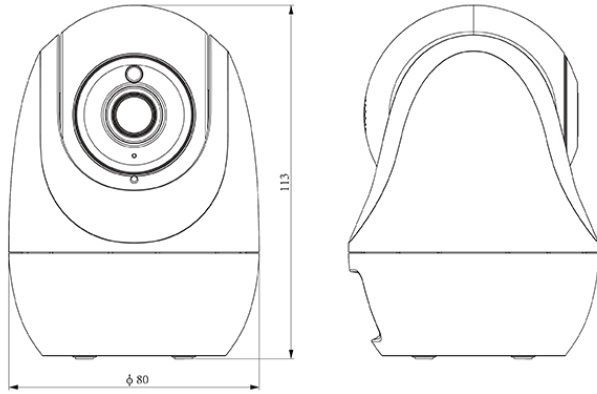
- Plastic housing
- Up to Max. Resolution
- S+265/H.265/H.264B/H.264M/H.264H
- Color:0.02Lux@(F2.0,AGC ON),B/W:0Lux with IR
- IR Range 15m
- Built-in Mic, Built-in Speaker
- Support microSD/microSDHC/microSDXC card, up to 512 GB
- Support Smart surveillance
- Operating Conditions -10°C~45°C(No turning on the light), Humidity 95% or less (no condensation)
- DC12V±25%,MAX 6W

SPECIFICATIONS

Camera	
Image Sensor	1/3"CMOS
Min. Illumination	Color:0.02Lux@(F2.0,AGC ON),B/W:0Lux with IR
Shutter Time	1s~1/100000s
Day&Night	IR-cut filter with auto switch (ICR)
WDR	DWDR
S/N	>40dB
Angle Adjustment	0~350°(P); -25°~90°(T)
Lens	
Lens Type	Fixed focal lens
Focal Length	4mm
Lens Mount	M12
Aperture Range	F1.6
Field of View	78.3°(H); 44.1°(V); 89.3°(D)
DORI Distance	Detect:80m Observe:31.75m Recognize:16m Identify:8m
Illuminator	
IR LEDs	4
IR Distance	15m
Wavelength	850nm
White LEDs	1
Whitelight Distance	10m
Compression Standard	
Video Compression	S+265/H.265/H.264B/H.264M/H.264H
Video Bit Rate	32k~4Mbps
Audio Compression	G.711A/G.711U
Audio Sampling Rate	8kHz/16kHz
Image	
Main Stream	PAL:20fps(2560×1440, 2304×1296, 1920×1080, 1280×720, 640×480, 704×576) NTSC:20fps(2560×1440, 2304×1296, 1920×1080, 1280×720, 640×480, 704×480)
Sub Stream	PAL:20fps(704×576, 704×288, 640×360, 352×288) NTSC:20fps(704×480, 704×240, 640×360, 352×240)
BLC	Yes
HLC	Yes
AGC	Yes
3D DNR	Yes
White Balance	Auto/Semi-Auto/Manual/Sunshine/Nature Light/Warmlight Lamp/Daylight Lamp/Filament Lamp/Lock White Balance
OSD	Overlay of additional characters in 1 regions, 1 line, with a maximum of 48 characters or 16 Chinese characters per region; 16*16/32*32/48*48/64*64

Privacy Mask	4 black static areas
Defog	Yes
Feature	
Alarm Trigger	Disk Full; Disk R/W Error; IP Address Conflict
Linkage Method	trigger sound; trigger warmlight; trigger recording; trigger capture; notify surveillance center
Auto-Tracking	Auto-Tracking
Network	
ANR	Yes
Protocols	HTTP; TCP/IP; UDP; ICMP; DHCP; DNS; NTP; IPv4; SSH; Unicast; RTSP; FTP
System Compatibility	ONVIF Profile S/T; CGI; Milestone
Remote Connection	≤2
Client	Easy7 Smart Client
Moblie Client	EasyLive Plus
Wi-Fi	
Transmission distance	Up tp 30m(based on actual environment)
Wireless standard	IEEE802.11b/ 802.11g/802.11n
Frequency range	2.4 GHz ~ 2.4835 GHz
Channel bandwidth	20/40MHz
Wi-Fi security	WPA-PSK/WPA2-PSK
Interface	
Communication Interface	1*RJ-45,10/100 Mbps self-adaptive Ethernet port
Reset Button	Yes
On-board storage	Support microSD/microSDHC/microSDXC card, up to 512 GB
General	
Web Client Language	3 languages Simple Chinese/English/Vietnamese
Operating Temperature	-10°C~45°C(No turning on the light)
Operating Humidity	Humidity 95% or less (no condensation)
Storage Temperature	-10°C~45°C
Storage Humidity	Humidity 95% or less (no condensation)
Power Supply	DC12V±25%,MAX 6W
Protection	Surge500V; ESD6000V
Boundary Dimensions	80(L)80(W)113(H)mm
Package Dimensions	97(L)97(W)165(H)mm
GrossWeight	0.38kg

DIMENSIONS (Unit: mm)



Assembly diagram of Junction Box